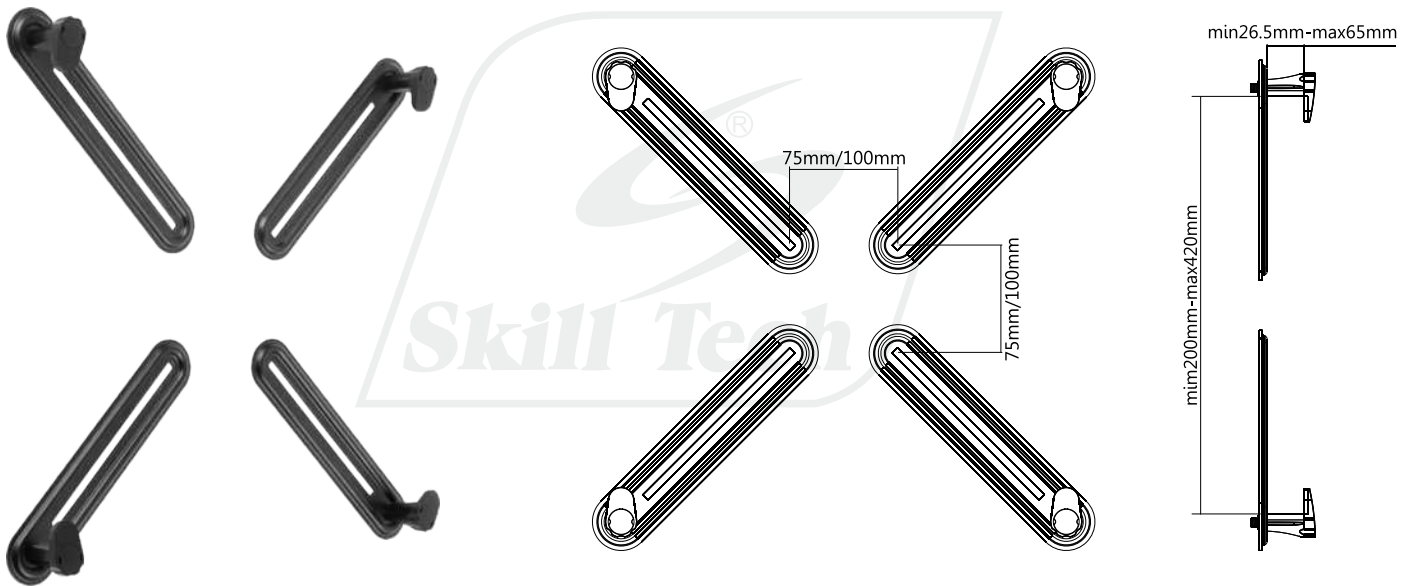


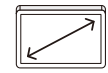
# SH XMA-01

## Adapter Bracket Assembly

Fits most 13"-27" LCD/LED Monitors



### Monitor Adapter Kit for non-VESA monitors



Screen Size  
13"-27"



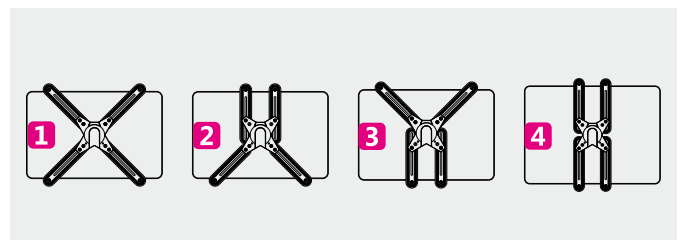
Weight Capacity  
8kg/17.6lbs



Mounts to any VESA monitor mount with 75x75 and 100x100mm mounting holes.



Fits screens thickness from 26.5mm to 65mm (most 13"-27" screen).



Adjustable security arms can be placed in many positions to accommodate varying sizes and shapes of monitors.